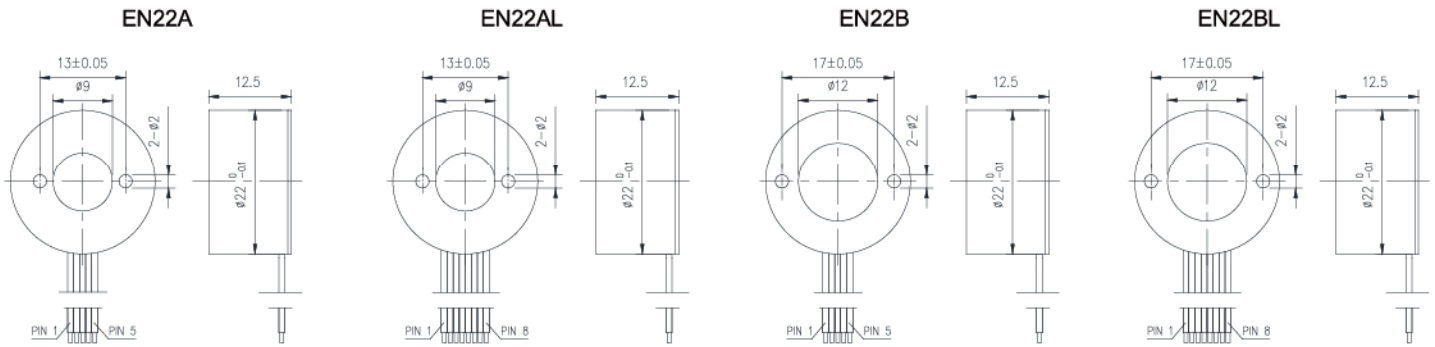


Encoder

Magnetic encoder, 3 channels, Line Driver, 1000 CPT

vishan 唯川



	Without line driver, 5 pin Line driver, 8-pin	EN22A	EN22AL	EN22B	EN22BL
Electrical Data					
1 Lines per revolution		1000	1000	1000	1000
2 Number of channels		3	3	3	3
3 Max. speed	rpm	28000	28000	28000	28000
4 Supply voltage	V	5	5	5	5
5 Output signal		TTL	TTL	TTL	TTL
6 Index pulse width	°e	90	90	90	90
7 Phase shift, Channel A to B	°e	90	90	90	90
8 Interia of code disc	gcm ²	0.7	0.7	0.7	0.7
9 Operating temperature range	°C	-40..+125	-40..+125	-40..+125	-40..+125

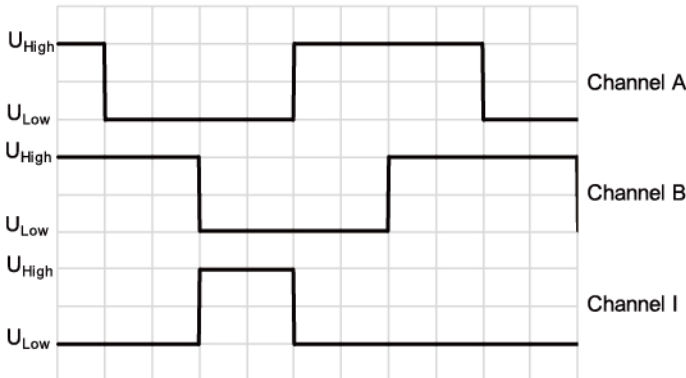
Features & Configuration

- Magnetic rotary encoder chip
- Independent output interface: SPI, ABI, UVW
- Configuration programmable : Zero position, ABI line per revolution
- ABI programmable decimal and binary puls count: 1000, 500, 400, 300, 200, 100, 50, 25, 1024, 512, 256ppr
- UVW number of pole pairs :from 1 to 8 pole pairs
- Absolute angle position :read from 4-wire SPI
- Optional line driver : Provide four channel differe-

Output Signals

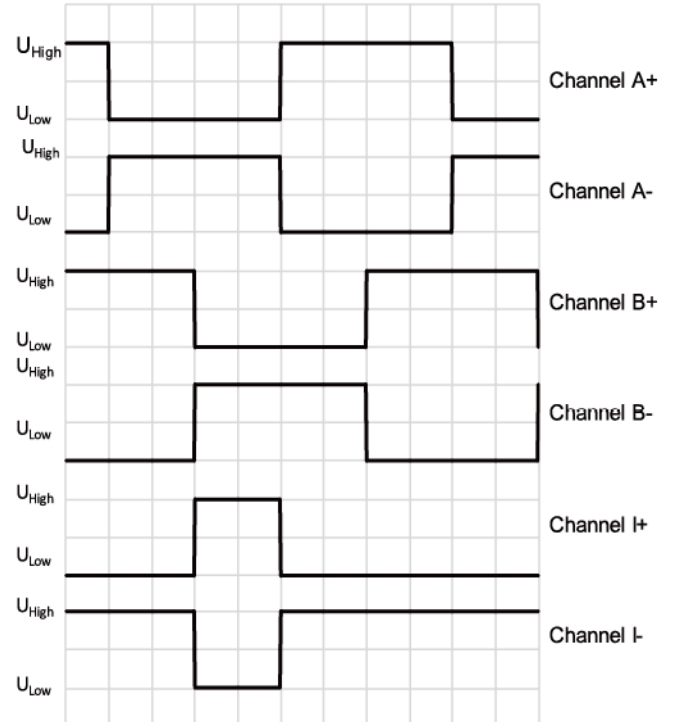
EN22A/EN22B

with clockwise rotation as from the shaft end



EN22AL/EN22BL

with clockwise rotation as from the shaft end



Connection

Conection	EN22A/EN22B	PVC
Pin 1	GND	AWG28
Pin 2	Vcc	AWG28
Pin 3	I	AWG28
Pin 4	B	AWG28
Pin 5	A	AWG28

Conection	EN22AL/EN22BL	PVC
Pin 1	GND	AWG28
Pin 2	Vcc	AWG28
Pin 3	I-	AWG28
Pin 4	I+	AWG28
Pin 5	B-	AWG28
Pin 6	B+	AWG28
Pin 7	A-	AWG28
Pin 8	A+	AWG28