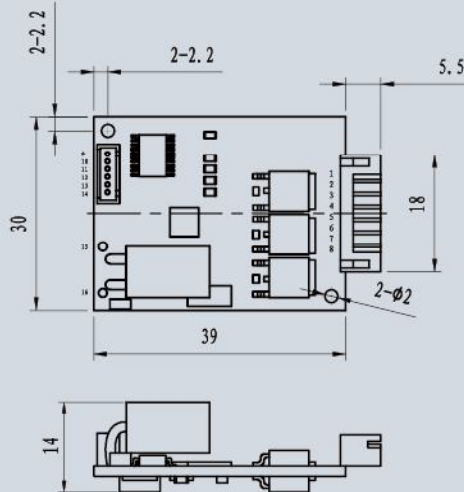
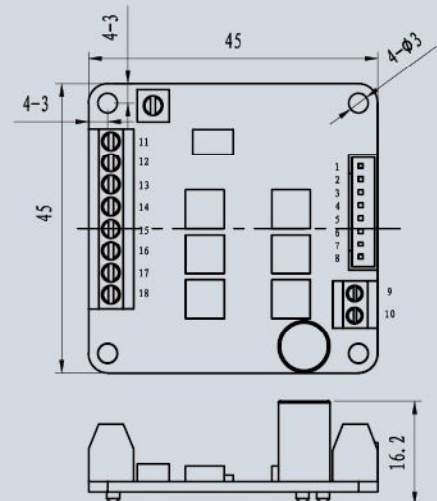




	VSC 3002S-00	VSC 3003S-00
Operating Mode	10-30VDC, Max. Current 2A Speed controller with hall sensor, Open loop Overload protection Stall protection Sensor error protection	8-30VDC, Max. Current 3A Speed controller with hall sensor, Open loop Overload protection Stall protection Sensor error protection
Electrical Data		
1 DC motor up to	60W	90W
2 Operating Voltage Vcc	10-30 VDC	8-30 VDC
3 Max.output current	5A , <60S	5A , <60S
4 Continuous output current	2A	3A
5 Pulse width modulation frequency	20KHz	20KHz
6 Sampling rate PI current controller	20KHz	20KHz
7 Max.Speed (1 pole pair)	60000rpm	60000rpm
8 Efficiency	92%	92%
Inputs/Outputs		
9 Hall sensor signal	HA,HB,HC	HA,HB,HC
10 Digital inputs/outputs	4	5
11 Set value "SP"	Set value speed 0.... +5V (1024 steps)	Set value speed 0.... +5V (1024 steps)
12 Enable "EN"	Enable 0...+5V	Enable 0...+5V
13 Direction "F/R"	Direction 0...+5V	Direction 0...+5V
14 Brake "BK"	Brake 0...+5V	Brake 0...+5V
15 Speed Feedback "PG"	---	TTL
16 Status Indicators	Operation: LED light/Blink at 1 HZ; Error: LED Blink at 20Hz	
17 Hall sensor supply voltage	+5 VDC	+5 VDC
18 Hall & Digital signal ground	GND	GND
Environmental Conditions		
18 Temperature - Operation	-30....+45°C	-30....+45°C
19 Temperature - Storage	-40....+85°C	-40....+85°C
Mechanical Data		
20 Weight	Approx. 15 g	Approx. 20 g
21 Dimensions (L x W x H)	30 x 39 x 14mm	45 x 45 x 16.2mm
22 Mounting holes	for screws M2	for screws M3



Pin9	BK	Pin1	+5V, Output
Pin10	SP	Pin2	HA
Pin11	F/R	Pin3	HB
Pin12	EN	Pin4	HC
Pin13	+5V, Output	Pin5	GND
Pin14	GND	Pin6	MA
Pin15	POWER +	Pin7	MB
Pin16	POWER -	Pin8	MC



Pin11	PG	Pin1	+5V, Output
Pin12	SP	Pin2	HA
Pin13	GND	Pin3	HB
Pin14	GND	Pin4	HC
Pin15	+5V, Output	Pin5	GND
Pin16	EN	Pin6	MA
Pin17	F/R	Pin7	MB
Pin18	BK	Pin8	MC
		Pin9	POWER +
		Pin10	POWER -